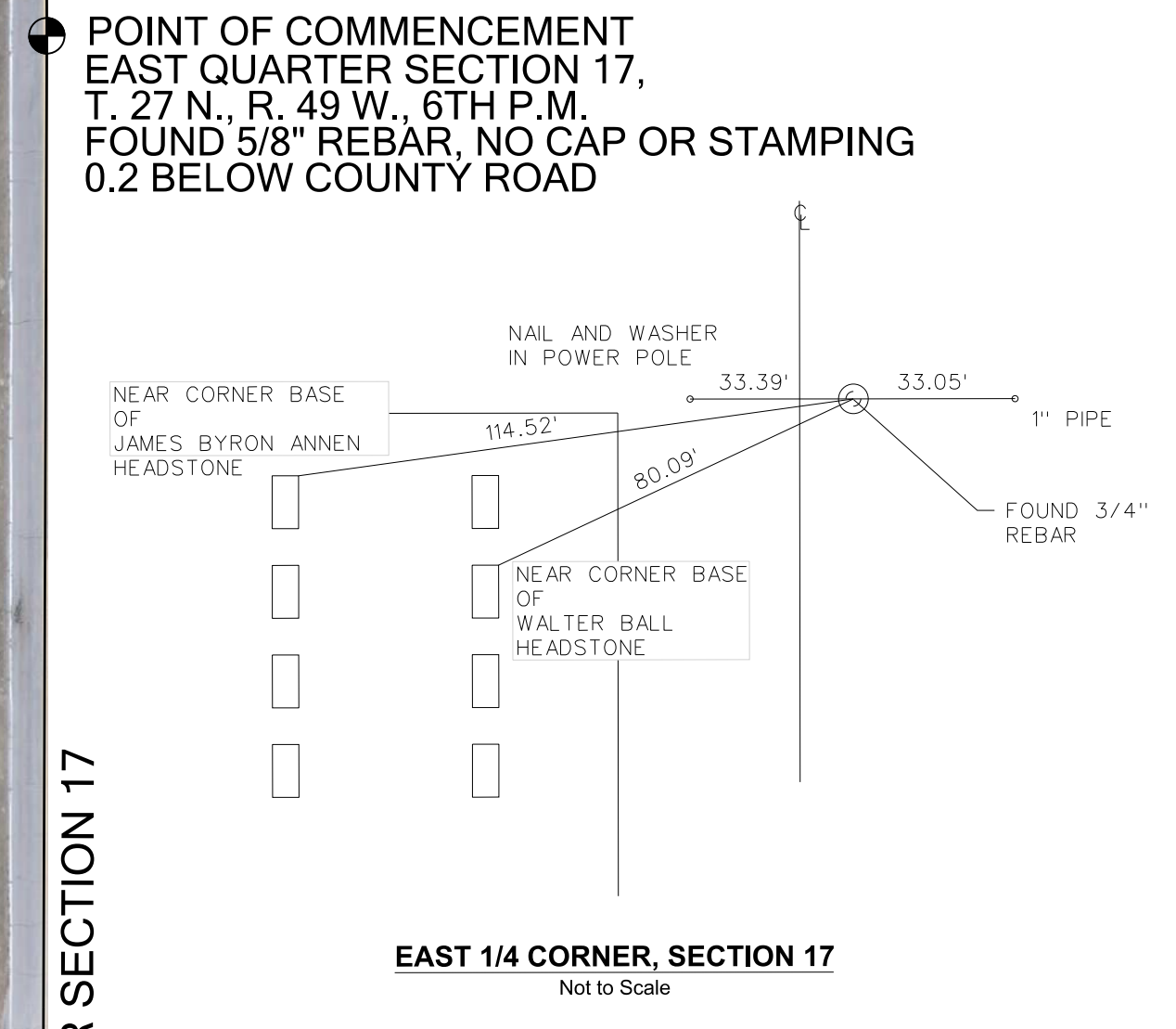


**REPLAT**  
 SECTIONS 1- 8, HEMINGFORD CEMETERY SITUATED IN THE  
 SOUTHEAST QUARTER OF THE SECTION 17,  
 TOWNSHIP 27 NORTH, RANGE 49 WEST OF THE 6TH P.M. ALSO BEING IN  
 BOX BUTTE COUNTY NEBRASKA.



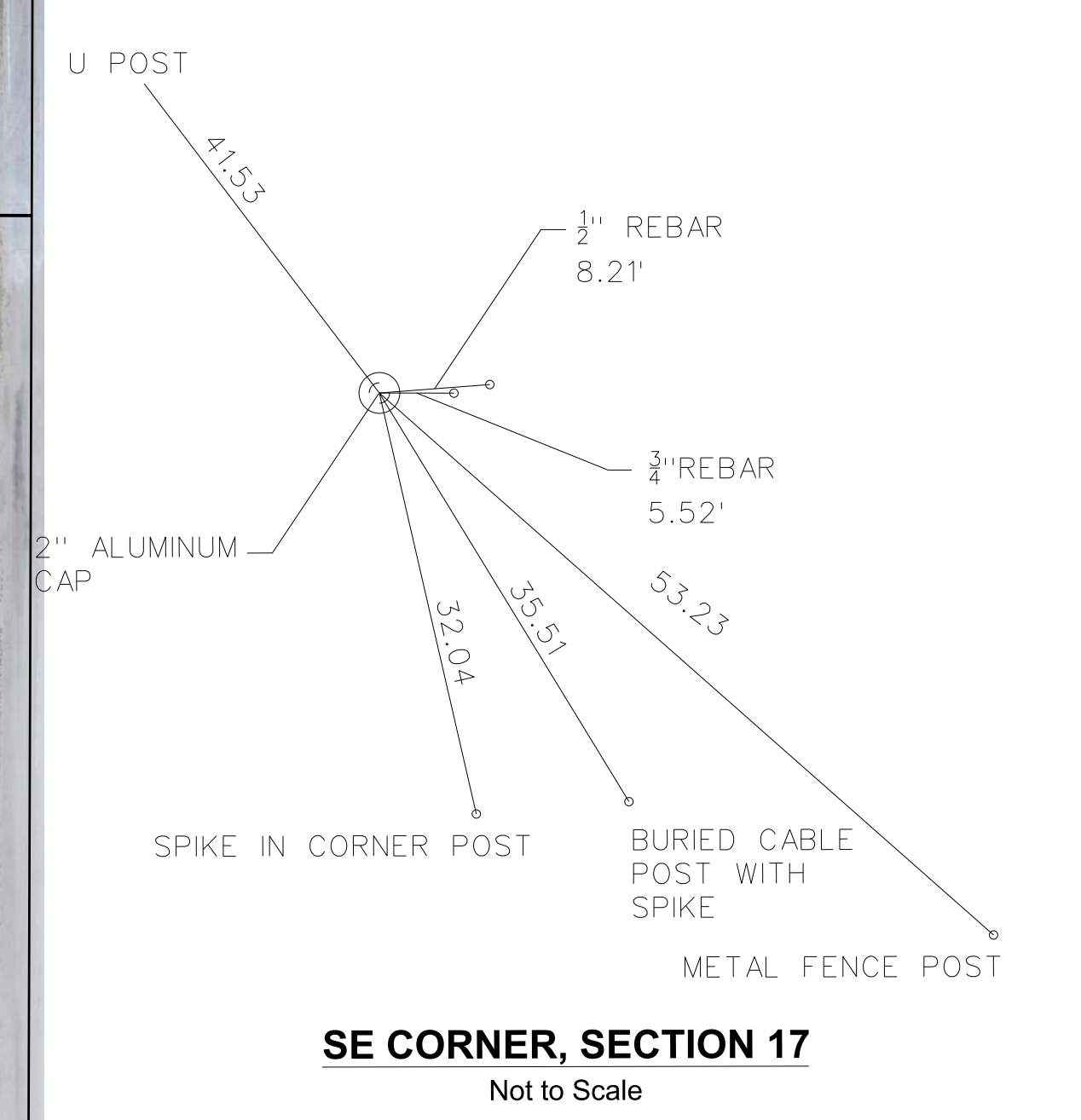
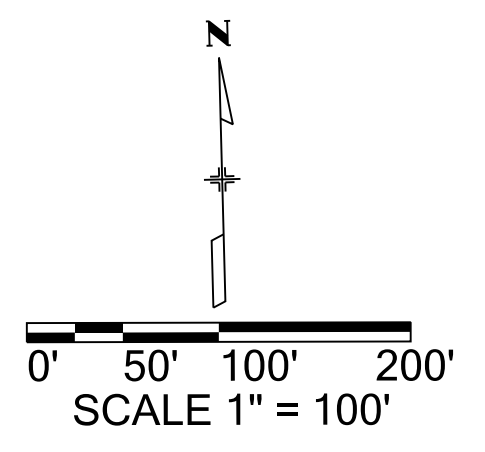
Engineers \* Architects \* Surveyors  
 COPYRIGHT

Land Survey			
Index Sheet			
Baker Project Number: 055-054-2014			
Project Location: Box Butte County Nebraska			
Client: Village of Hemingford			
Project Code	Last Mod. Date	Subset	Sheet No.
055	03-06-2015	2 of 10	2



BASIS OF BEARINGS EAST LINE OF THE SOUTHEAST QUARTER SECTION 17  
 COUNTY ROAD 69  
 S02°17'31"W 2649.14' (M)

**SW 1/4**  
**SECTION 16**  
 T 27 N, R 49 W  
 6TH P.M.



**SOUTHEAST CORNER SECTION 17,**  
 T. 27 N., R. 49 W., 6TH P.M.  
 FOUND 2" ALUMINUM CAP  
 0.2' BELOW COUNTY ROAD  
 STAMPED "NDOR"  
 AS PER PREVIOUS CORNER RECORD  
 FILED BY G. HICKS